



# DPS 105

## ► Specifications

### Genset model

Rated speed	rpm	1500
Net Frequency	Hz	50
Rated voltage 3 phases	V	400/230
Rated apparent power (PRP) 3 phases	kVA	105
Rated apparent power (LTP) 3 phases	kVA	111
Nominal current (LTP) 400V - 3 phases	A	159,70

### Engine

Make		DEUTZ
Model		BF4M1013EC
Exhaust Emission Standard	Stage	II
Rated PRP gross power	kW	97,0
Rated LTP gross power	kW	102,0
Cooling system		water
Speed governing		mecanical
Governing Standard		G2
Number of cylinders		4
Engine configuration		IL
Displacement	ltr	4,76
Bore/Stroke	mm	108/130
Compression Ratio		19
Electrical equipment	V/dc	12

### Air

Max. Intake depression ( Switch setting )	[mbar]	25
Combustion Air Volumne	[m³/h]	329,2

### Exhaust System

Max. exhaust Gas Temperature	[C°]	540
Max. Exhaust back pressure	[mbar]	30
Exhaust Gas Flow (at above temperature)	[m³/h]	951

### Cooling System

Standard Cooling System		
Fan Power Consumption	[kW]	5,9
Cooling Air Flow	[m³/h]	6100
Air Pressure Loss	[mbar]	1,5
Heat dissipation (convection)	[kW]	9

### Lube Oil System

Lube Oil Capacity (Slump)	[LTR]	11
Min Oil Pressure ( Shutdown)	[bar]	2

## Fuel Consumption

25% Load	246	[g/kWh]	6,3	[LTR/Hour]
50% Load	215	[g/kWh]	11,1	[LTR/Hour]
75% Load	210	[g/kWh]	16,2	[LTR/Hour]
100% Load	209	[g/kWh]	21,5	[LTR/Hour]
Fuel Filter	Spin-on Fuel Filter			
Optional	Pre-Filter w/ Water Separator			

## Noise Level ( Open / Canopy )

Sound pressure - 100% load, 7m average	dB(A)	67
--	-------	----




## Generator

Make	Mecc Alte		
Model	ECP34 2S4A		
Generator efficiency	%	92,0	

## Controller

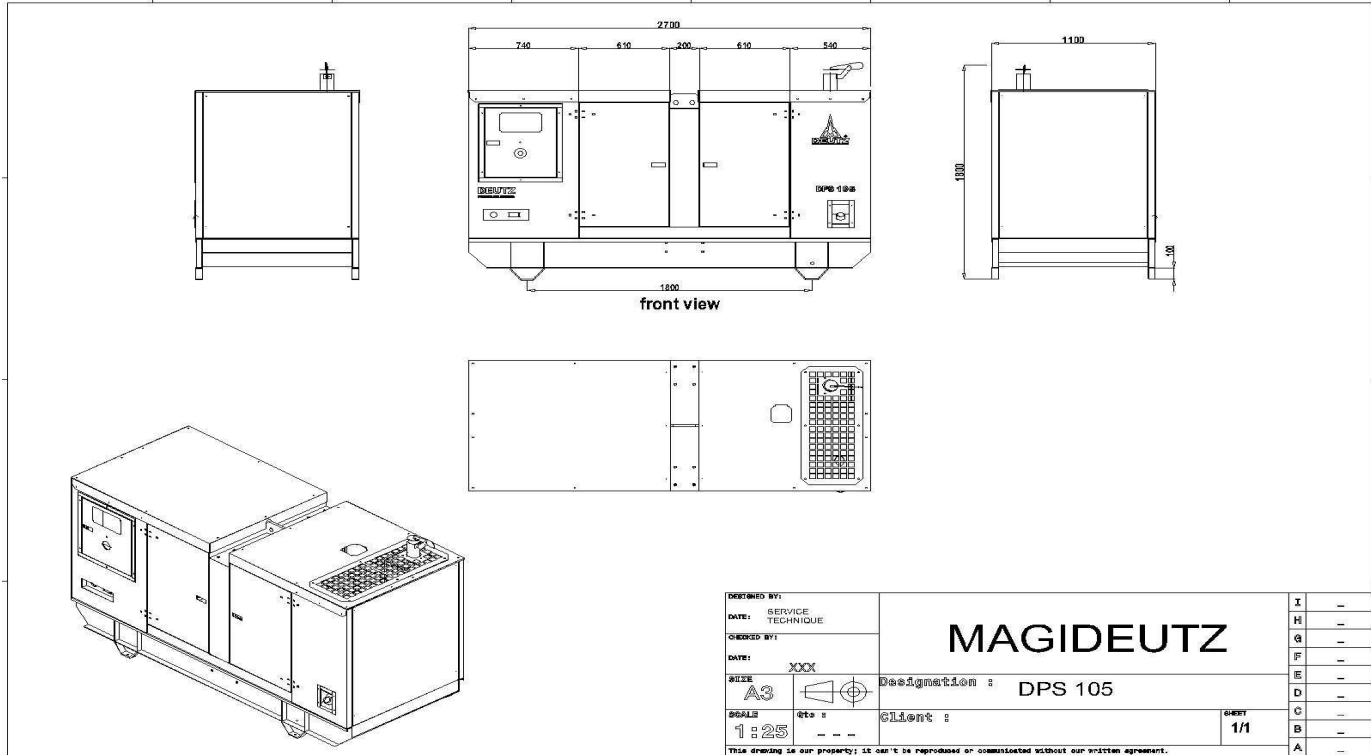


DEUTZ MODEL DESCRIPTION	CLASSIC	BASIC	COMFORT	DELUXE
<b>FEATURES</b>				
Binary Inputs / Outputs	6/6	4/6	7/7	8/8
Analog Inputs	3	3	3	4
Input & Output Configurations	✓	✓	✓	✓
D+ battery charging alternator circuit	✓	✓	✓	✓
Generator protections	✓	✓	✓	✓
AMF / MRS Functions	✓	✓	✓	✓
GCB/MCB Control with Feedback	✓	without feedback	✓	✓
Frequency measurement Gens/Mains	✓	✓	✓	✓
ECU support via CAN	✓	✓	✓	✓
kW / kWh / kVA measurement	kVA	Kw/Kwh/kVA	Kw/Kwh/kVA	Kw/Kwh/kVA
Magnetic pickup	x	✓	✓	✓
RTC / Battery	x	x	✓	✓
Total Fuel Consumption	x	x	✓	✓
Dummy Load / Load Shedding	x	x	✓	✓
Analog Calibration	x	x	✓	✓
Auto.Temperature based on heating & cooling	x	x	✓	✓
PLC	x	x	x	✓
Modbus support / SNMP support	x	x	○	✓
SNMP traps	x	x	x	○
Remote Control	x	○	○	○
Earth fault current protections	x	x	○	○
Manual Speed Control (For ECU Engines)	x	x	x	✓
2 x 10 A binary output for cranking and fuel solenoid	x	x	x	✓
Fuel pump	x	x	x	✓
Connection type autodetect	x	x	x	✓
TIER 4 Final Support	x	x	x	✓

-  Included
-  Excluded
-  Optional - Plug in



<b>Weight and dimensions</b>		Open	Canopy
Weight	kg	1100	1620
Length	mm	2000	2700
Width	mm	950	1100
Height	mm	1450	1800
<b>Fuel tank capacity (option)</b>		ltr	105
			190



#### **Cowling and soundproofing:** According to international standards

- The inner walls of the cowling: pulverized antiresonant material
- Doors and hatches: Sealed with rubber and foam join resists heat
- All steel supports: sandblasted and degreased covered:
  - \* A first layer of epoxides
  - \* Two coats of synthetic paints

#### **Coupling**

The engine and alternator are coupled together and form a single piece by a semi elastic device. The coupling system is specially designed piece, flywheel housing. The system provides constant perfect alignment and allow a simple and easy maintenance

#### **Chassis**

The frame is steel, generously sized, fully welded to the arc and absolutely rigid to support the complete generator with all accessories, coupled to the generator. Electrically welded which will be installed the engine and alternator through the insulating elastic soles vibration fixed with galvanized bolts and washers. The motor generator will be rigidly fixed flanges with a piece of semi elastic coupling

#### **Painting**

The painting is of high quality and made of metalized 2 primer and 2 topcoats for all components and accessories of the generator.

مؤسسة شذى نجد للتجارة

الموزع العام لمولدات دويتز الألمانية في المملكة العربية السعودية واليمن والعراق  
المملكة العربية السعودية الرياض هاتف: 0114816587 فاكس: 0114816096

www.shatha.org

